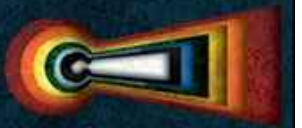


BLUEBEARD'S
CASTLE



LED Portals

Counter Weight Arbor

DIRECTOR: Brenna Corner

SCENE DESIGNER: Luke Cantarella

TECH DIRECTOR: Natalie Hining

DWG BY: NGM INVENTORY CODE: BBC

DATE: 5/29/2023 FILE: OMMO - Blue Beards Castle.dwg

REV 1: Rev 1 REV 2: Rev 2

BUILD TIME

DAY / # OF CARPS	TIME

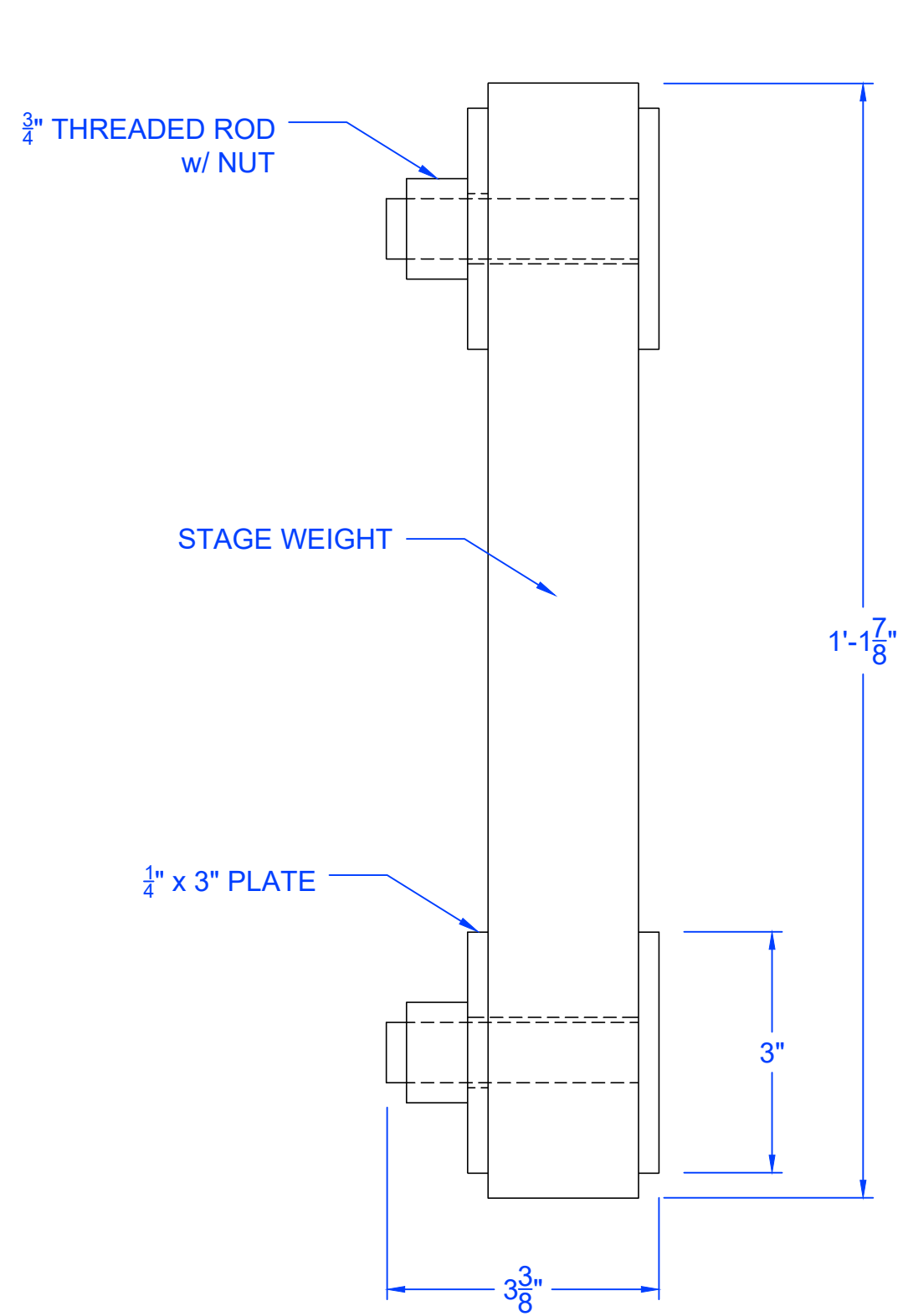
MATERIALS USED

MATERIAL	QUANTITY

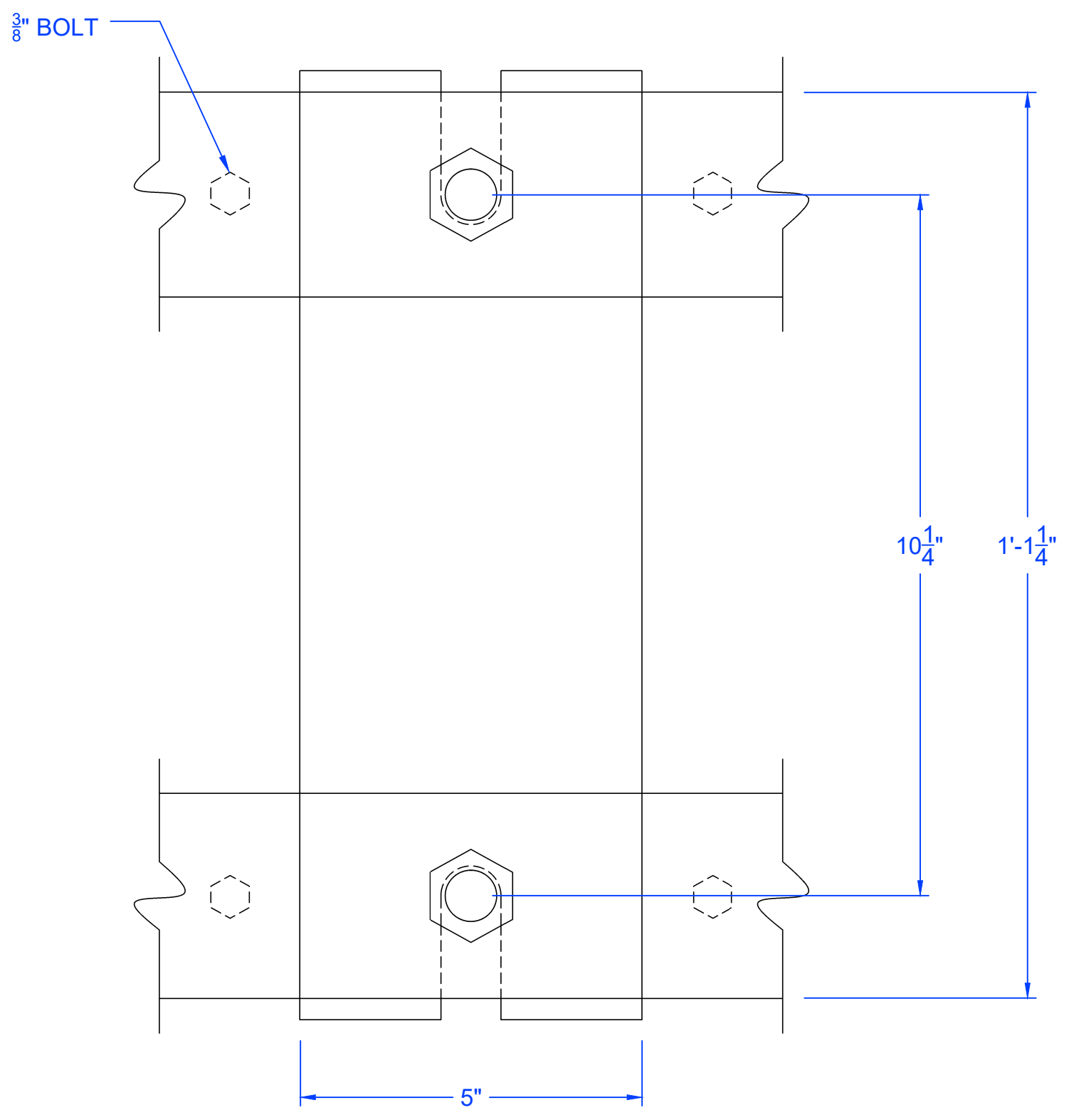
SCALE: 6" = 1'-0"

PLATE:

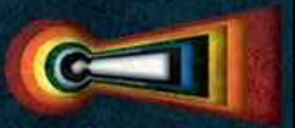
200



1 SIDE VIEW
200 NOTES:
 - WELD 3/4" THREADED ROD TO 1/4" x 3" PLATE
 - USE RATED 3/4"-10 NUT w/ LOCK WASHER



2 FRONT VIEW
200 NOTES:
 - BOLT 1/4" x 3" PLATE TO LED WALLS
 - USE RATED 3/8" BOLTS



LED Portals

Portal 1-2 Counter Weight

DIRECTOR: Brenna Corner

SCENE DESIGNER: Luke Cantarella

TECH DIRECTOR: Natalie Hining

DWG BY: NGM INVENTORY CODE: BBC

DATE: 5/31/2023 FILE: OMMO - Blue Beards Castle.dwg

REV 1: Rev 1 REV 2: Rev 2

BUILD TIME

DAY / # OF CARPS	TIME

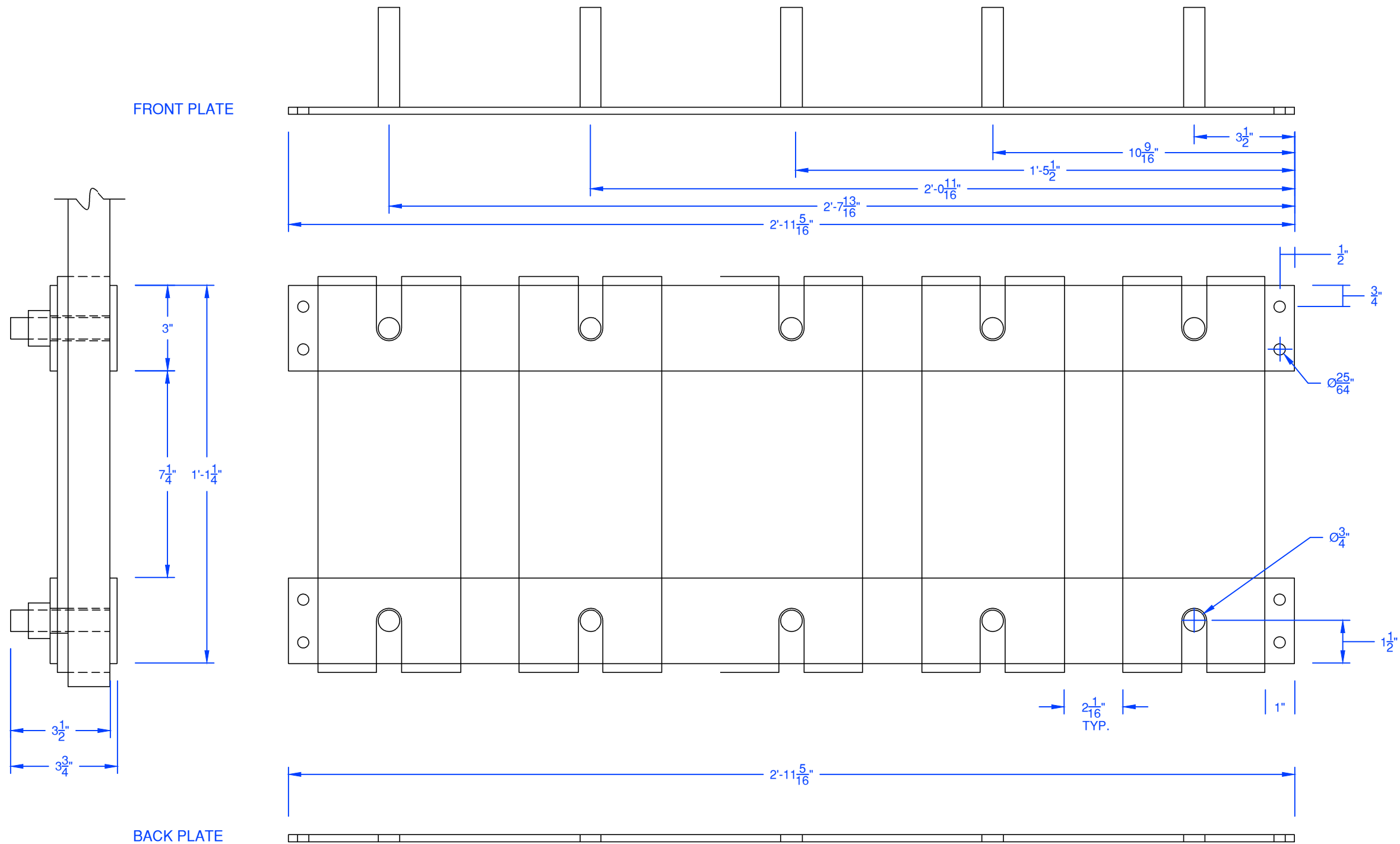
MATERIALS USED

MATERIAL	QUANTITY

SCALE: 3 = 1'-0"

PLATE:

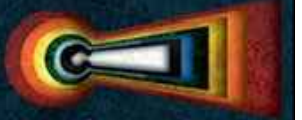
201



1 MULTI - VIEW
200 NOTES:

- BUILD (4)
- 1/4" x 3" PLATE & 3/4"-10 THREADED ROD
- WELD THREADED ROD TO PLATE
- DRILL HOLES AS INDICATED

BLUEBEARD'S
CASTLE



LED Portals

Portal 3 Counter Weight

DIRECTOR: Brenna Corner

SCENE DESIGNER: Luke Cantarella

TECH DIRECTOR: Natalie Hining

DWG BY: NGM INVENTORY CODE: BBC

DATE: 5/31/2023 FILE: OMMO - Bluebeards Castle.dwg

REV 1: Rev 1 REV 2: Rev 2

BUILD TIME

DAY / # OF CARPS	TIME

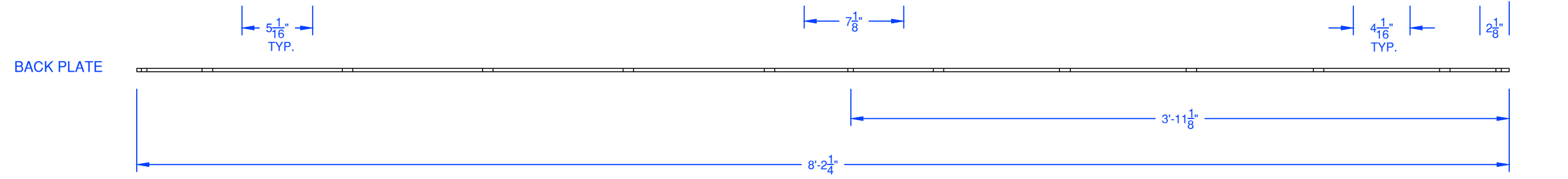
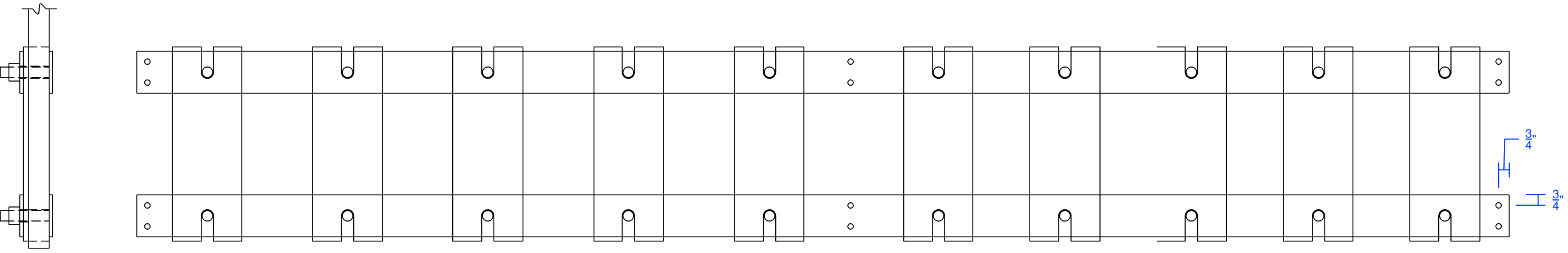
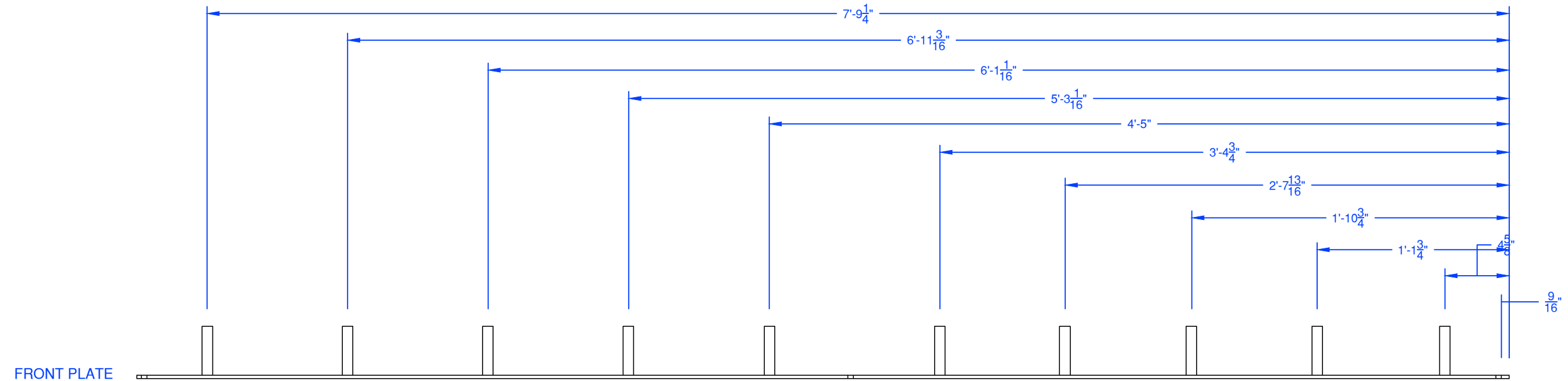
MATERIALS USED

MATERIAL	QUANTITY

SCALE: 3 = 1'-0"

PLATE:

202



- 1** MULTI - VIEW
202
- NOTES:
- BUILD (2)
 - 1/4" x 3" PLATE & 3/4"-10 THREADED ROD
 - WELD THREADED ROD TO PLATE
 - DRILL HOLES AS INDICATED